

WATER DISTRIBUTION SYSTEM GENERAL NOTES

- PROPOSED WATER DISTRIBUTION SYSTEM SHALL BE INSTALLED IN ACCORDANCE WITH CITY OF CORPUS CHRISTI WATER DIVISION DISTRIBUTION SYSTEM STANDARDS.
- THE CITY RESERVES THE RIGHT TO ACCEPT THE SYSTEM FOR OPERATION AT ANY TIME, BUT THE DATE OF OFFICIAL ACCEPTANCE OF THE SYSTEM WILL BE UPON COMPLETION OF THE PROJECT AND SATISFACTORY TEST RESULTS.
- THE EXISTING SYSTEM SHALL REMAIN IN SERVICE UNTIL THE PROPOSED SYSTEM IS PUT INTO SERVICE. THE CONTRACTOR SHALL PROTECT THE EXISTING SYSTEM UNTIL IT IS TAKEN OUT OF SERVICE.
- THE CONTRACTOR SHALL FURNISH ALL MATERIAL, LABOR AND EQUIPMENT REQUIRED TO INSTALL THE PROPOSED SYSTEM.
- TESTING OF LINES (STERILIZATION AND PRESSURED) SHALL BE DONE BY THE CONTRACTOR UNDER THE SUPERVISION OF THE WATER DIVISION. WATER FOR FILLING THE NEW WATER LINE AND PERFORMING TESTS WILL BE FURNISHED TO THE CONTRACTOR BY THE CITY OF CORPUS CHRISTI THROUGH A STANDARD WATER CONSTRUCTION METER CONNECTION. STANDARD WATER CONSTRUCTION METER AND GAUGE WILL BE SUPPLIED BY THE CITY AFTER THE CONTRACTOR HAS PAID ALL APPLICABLE FEES FOR THE WATER CONSTRUCTION METER. ALL WATER DISCHARGE MUST BE DECHLORINATED IN ACCORDANCE WITH TNRCC & NPDES REGULATIONS.
- THE CONTRACTOR SHALL RECOVER AND STOCK-PILE AT A LOCATION DESIGNATED BY THE WATER DIVISION INSPECTOR, ALL FIRE HYDRANTS, VALVES, AND FITTINGS THAT ARE TAKEN OUT OF SERVICE. THESE MATERIALS MAY BE SALVAGED BY THE CITY. HOWEVER, ALL ITEMS NOT CLAIMED BY THE CITY PRIOR TO THE FINAL INSPECTION SHALL BE DISPOSED OF BY THE CONTRACTOR.
- THE CONTRACTOR SHALL BEAR ALL COST ASSOCIATED WITH WATERLINE REPAIRS (WHICH RESULT FROM DAMAGE CAUSED BY THE CONTRACTOR) UPON COMPLETION OF PROJECTS. ALL WATER LINES SHALL BE FREE OF ALL PATCHES AND SPLICES.
- ALL PHYSICAL TIES OF THE PROPOSED SYSTEM INTO THE EXISTING WATERLINE SHALL BE RECONNECTED AND BE MADE UNDER SUPERVISION OF THE WATER DIVISION INSPECTOR. THE CONTRACTOR SHALL FURNISH ALL MATERIALS AND ALL EQUIPMENT THAT IS REQUIRED TO MAKE TIE-INS. CITY WATER DIVISION CREWS WILL MAKE TAPS ON CITY MAINS ARRANGED THROUGH WATER DIVISION INSPECTOR (72 HOUR NOTIFICATION).
- ALL EXISTING SERVICE CONNECTIONS TIED ONTO THE EXISTING WATERLINE SHALL BE RECONNECTED BY THE CONTRACTOR, INCLUDING RELOCATING EXISTING WATER METERS. IT SHALL BE THE CONTRACTOR'S SOLE RESPONSIBILITY TO NOTIFY AND COORDINATE WITH THE WATER DIVISION INSPECTOR SAID RECONNECTIONS / RELOCATIONS IN ADVANCE OF CONSTRUCTION TO AVOID DELAYS. (NO SEPARATE COSTS)
- MINOR LENGTH OF DUCTILE IRON PIPE ADJACENT TO FITTINGS MAY BE REQUIRED AS DIRECTED BY THE WATER DIVISION INSPECTOR BASED ON CONDITIONS ENCOUNTERED IN THE FIELD. THE CONTRACTOR SHALL USE D.I.P. AS DIRECTED AND SHALL BE PAID AT THE UNIT PRICE BID FOR THE APPROPRIATE SIZE WATERLINE. A MINOR LENGTH IS DEFINED AS A SINGLE LOCATION REQUIRING THE USE OF TWO JOINTS OR LESS.
- MINOR ADJUSTMENTS IN THE LOCATIONS OF FITTINGS, VALVES, FIRE HYDRANTS, ETC. CAN BE ANTICIPATED. THE CONTRACTOR SHALL MAKE SAID MINOR ADJUSTMENTS AS DIRECTED BY THE ENGINEER AND/OR WATER DIVISION INSPECTOR AT NO INCREASE OF CONTRACT PRICE. WATER DIVISION WILL BE NOTIFIED PRIOR TO ALL CHANGES.
- ALL NIPPLES BETWEEN FITTINGS AND VALVES ALONG MAINS SHALL BE DUCTILE IRON.
- ALL DUCTILE IRON PIPES, VALVES, AND FITTINGS SHALL BE WRAPPED WITH (2) THICKNESSES OF 8 MIL. POLYETHYLENE AND SHALL BE RESTRAINED WITH "MEGALUG", MECHANICAL JOINT RESTRAINT OR ENGINEER APPROVED EQUAL AT ALL FITTINGS. CONCRETE THRUST BLOCKS SHALL BE PLACED BEHIND ALL FITTINGS EXCEPT WHERE LOCKING OR SWIVEL FITTINGS ARE UTILIZED, UNLESS OTHERWISE SPECIFIED BY THE WATER DIVISION ENGINEER.
- ALL OFFSETS ARE TO BE DUCTILE IRON PIPE ASSEMBLIES LOCKED TOGETHER BY RETAINER GLANDS. DUCTILE IRON BENDS SHALL BE UTILIZED FOR ANY CHANGES IN ALIGNMENT OR GRADE.
- IF A WATER LINE IS TO BE ABANDONED, THE CONTRACTOR WILL FILL WITH CONTROLLED LOW STRENGTH MATERIAL, "DARAFILL" BRAND OR ENGINEER APPROVED EQUAL, VALVES WILL BE REMOVED OR FILLED AS REQUIRED BY WATER DIVISION INSPECTOR.
- CONTRACTOR SHALL COORDINATE WITH WATER DIVISION INSPECTOR AND NOTIFY ALL AFFECTED CUSTOMERS 24 HOURS PRIOR TO KILLOUT OF EXISTING WATER SYSTEM.
- WATER DISTRIBUTION SYSTEM STANDARDS CALL FOR MAXIMUM 48" COVER ON WATERLINES. WHEN DEPTHS EXCEED 48" COVER TO AVOID OBSTRUCTION, THE USES OF BENDS COULD BE REQUIRED.
- CONTRACTOR SHALL KEEP ALL EXISTING VALVES ACCESSIBLE DURING ALL PHASES OF CONSTRUCTION.
- ALL NEW WATER MAINS SHALL BE INSTALLED SO THAT PIPE IDENTIFICATION MARKINGS ARE LOCATED ON THE TOP OF THE PIPE.
- ALL SERVICE LINES UNDER PAVEMENT SHALL BE ONE INCH, INSIDE DIAMETER, MINIMUM.

SPECIAL NOTE:

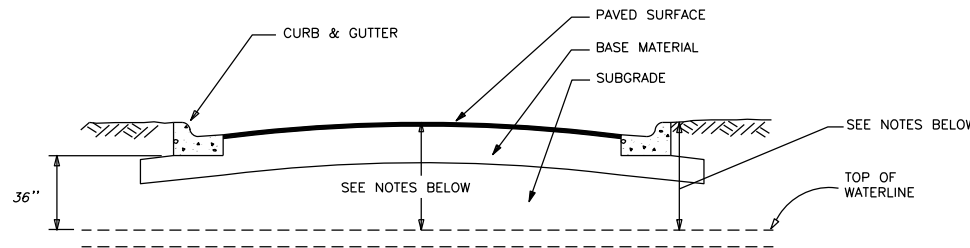
ENGINEER SHALL CONTACT THE UTILITY DEPARTMENT FOR WATER VAULT DESIGN COORDINATION.

SEPARATION OF WATER AND WASTEWATER LINES

- THE SEPARATION OF WATER AND WASTEWATER LINES AND THE MATERIAL USED SHALL BE IN ACCORDANCE WITH THE "RULES & REGULATIONS FOR PUBLIC WATER SYSTEMS" OF TEXAS NATURAL RESOURCE CONSERVATION COMMISSION AND THE CITY WATER DETAILS.
- WHENEVER WATER & WASTEWATER LINES CROSS, ONE JOINT OF C900 PVC WATER LINE SHALL BE CENTERED OVER THE WASTEWATER LINE IN ADDITION TO ANY REQUIREMENTS AS DICTATED BY ITEM 1 ABOVE.

NOTES:

CONTRACTOR MAY BE REQUIRED BY THE WATER DIVISION INSPECTOR TO INSTALL CENTERED JOINTS OF DUCTILE IRON PIPE AT WATERLINE CROSSINGS OF EXISTING HAZARDOUS PRODUCT FLOWLINES.

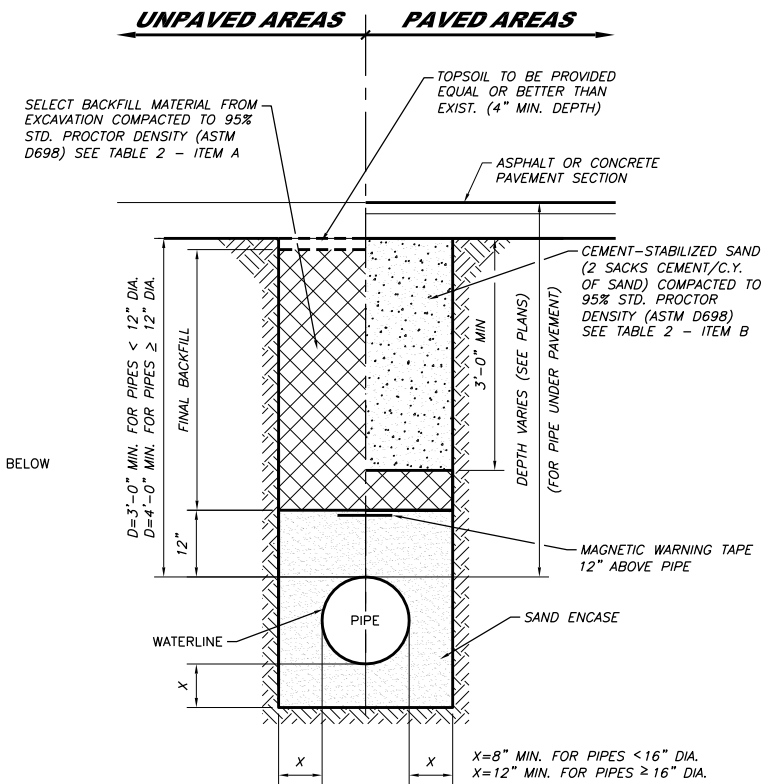


WATERLINE MINIMUM COVER REQUIREMENTS

NOT TO SCALE

NOTES:

- ALL MAINS IN THE STREET SHALL HAVE A MINIMUM OF 36" OF COVER AND BE 12" MINIMUM BELOW SUBGRADE AT ALL POINTS AND HAVE VALVE CLEARANCES IN ACCORDANCE WITH THE VALVE DETAIL.
- ALL TRANSMISSION MAINS (12" DIAMETER & ABOVE) IN THE STREET SHALL HAVE 48" OF COVER AT ALL POINTS.
- ALL MAINS NOT UNDER THE STREET SHALL HAVE A MINIMUM OF 36" OF COVER AT ALL POINTS.



TYP. PIPE TRENCHING, BEDDING AND BACKFILL FOR WATERLINE

NOT TO SCALE

NOTE: (CONCRETE PAVEMENT ONLY)

CONTRACTOR HAS OPTION TO USE CEMENT STABILIZED SAND OR BACKFILL WITH SELECT BACKFILL MATERIAL

GENERAL NOTES FOR BACKFILL

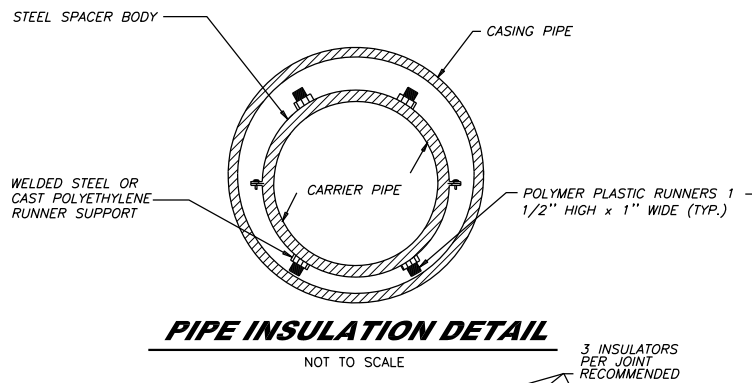
TABLE 1 BEDDING AND INITIAL BACKFILL (BELOW PIPE TO 12" ABOVE PIPE)		TABLE 2 FINAL BACKFILL (GREATER THAN 12" ABOVE PIPE)																				
		UNPAVED AREAS	PAVED AREAS																			
<p>ALL BEDDING AND INITIAL BACKFILL SHALL CONSIST OF THE FOLLOWING OR REFER TO DESIGN ENGINEER REQUIREMENTS: GRANULAR BACKFILL CONSISTING OF EITHER NATURAL SAND OR SANDY GRAVEL, OR MATERIAL PRODUCED BY CRUSHING OF NATURAL STONE OR GRAVEL.</p> <p>WATER LINES:</p> <ol style="list-style-type: none"> EXCAVATIONS <20FT. DEEP AND ABOVE WATER TABLE, USE MATERIAL MEETING THE FOLLOWING CRITERIA. MEETING REQUIREMENTS OF ASTM D2487 FOR: <table border="0"> <tr> <td>SP</td> <td>GP</td> </tr> <tr> <td>SW</td> <td>GW</td> </tr> <tr> <td>SP-SM</td> <td>GP-GM</td> </tr> <tr> <td>SW-SM</td> <td>GW-GM</td> </tr> </table> <p>AND IN ADDITION: PASSING 1/2" SIEVE - 100% PASSING #4 SIEVE - 30% MINIMUM PLASTICITY INDEX (PI) - NP TO 10 MAX.</p> IN DEEP EXCAVATIONS (>20') OR BELOW WATER TABLE, USE CRUSHED STONE OR CRUSHED GRAVEL MEETING GRADATION OF: <table border="0"> <tr> <td>A. CONCRETE COARSE AGGREGATE; TxDOT ITEM 421; GRADE 2, 3, OR 4.</td> </tr> </table> 		SP	GP	SW	GW	SP-SM	GP-GM	SW-SM	GW-GM	A. CONCRETE COARSE AGGREGATE; TxDOT ITEM 421; GRADE 2, 3, OR 4.	<p>A. FOR 12" ABOVE PIPE TO BOTTOM OF TOPSOIL BACKFILL SHALL BE APPROVED SELECT MATERIAL FROM THE EXCAVATION; OR IMPORTED MATERIAL; ALL TO BE FREE OF ROCKS, DEBRIS, OR ANY CLUMPS GREATER THAN 2" IN DIAMETER; LOOSE LIFTS TO BE PLACED 10" MAX. COMPACT MATERIAL TO 95% STD. PROCTOR (D698). MOISTURE TO BE ADJUSTED TO ± 3% OF OPTIMUM.</p> <p>B. TOPSOIL TO BE PROVIDED EQUAL OR BETTER THAN EXISTING; AND MATCH EXISTING TOPSOIL DEPTH. COMPACT TO FIT CONFLICT TO EXISTING ADJACENT TOPSOIL. (CONSTRUCTION TO BE PERFORMED BY "DOUBLE DITCH" METHOD TOP SOIL SALVAGED TO BE PLACED ON TOP)</p>	<p>A. FOR 12" ABOVE PIPE TO 3' BELOW BOTTOM OF ROAD BASE; BACKFILL SHALL BE SELECT MATERIAL FROM EXCAVATION OR TO BE IMPORTED MATERIAL IN EITHER CASE, ALL MATERIAL SHALL MEET THE FOLLOWING: LL<35 PI 8-20 NO CLUMPS > 2" DIA. MOISTURE 0 TO +3% COMPACT 95% D698 STD PROCTOR LOOSE LIFTS OF 10" MAX OR IF SELECT MATERIAL FROM EXCAVATION DOES NOT MEET REQUIREMENTS, THEN USE CEMENT STABILIZED SAND SEE TABLE 2-ITEM B BELOW (OR PER DESIGN ENGINEER)</p> <p>B. FOR 3' BELOW BOTTOM OF ROAD BASE TO BOTTOM OF ROAD BASE: BACKFILL SHALL BE CEMENT STABILIZED SAND (2 SK/C.Y.) AND SHALL MEET THE FOLLOWING REQUIREMENTS: SAND GRADATION: % PASSING <table border="0"> <tr> <td>#4</td> <td>55-100</td> </tr> <tr> <td>#10</td> <td>40-100</td> </tr> <tr> <td>#40</td> <td>25-100</td> </tr> <tr> <td>#200</td> <td>10-20</td> </tr> <tr> <td>PI</td> <td>NP-10</td> </tr> </table> (OR AS PER DESIGN ENGINEER) COMPACT TO 95% OF D698. MOISTURE TO BE ADJUSTED TO (+/-2%) OF OPTIMUM.</p>	#4	55-100	#10	40-100	#40	25-100	#200	10-20	PI	NP-10
SP	GP																					
SW	GW																					
SP-SM	GP-GM																					
SW-SM	GW-GM																					
A. CONCRETE COARSE AGGREGATE; TxDOT ITEM 421; GRADE 2, 3, OR 4.																						
#4	55-100																					
#10	40-100																					
#40	25-100																					
#200	10-20																					
PI	NP-10																					

REVISION NO.	DATE	BY	DESCRIPTION

CITY OF CORPUS CHRISTI
 TEXAS
 Department of Engineering Services

CITY OF CORPUS CHRISTI
 WATER STANDARD DETAILS
 WATER DISTRIBUTION SYSTEM GENERAL NOTES & BACKFILL
 AND EMBEDMENT DETAILS
 1 OF 4

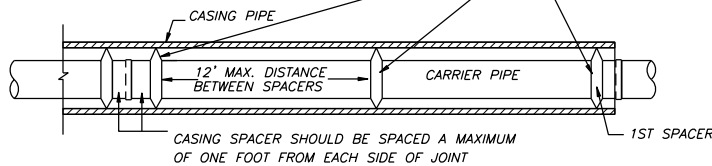
SHEET ____ of ____
 RECORD DRAWING NO.
 CITY PROJECT # ____



PIPE INSULATION DETAIL

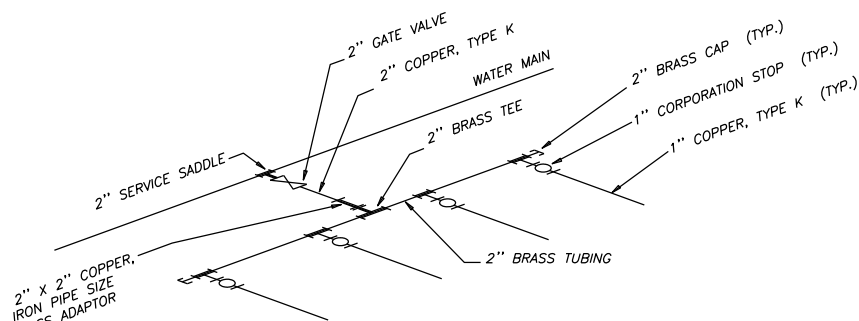
NOT TO SCALE

3 INSULATORS PER JOINT RECOMMENDED



INSULATOR SPACING DETAIL

NOT TO SCALE

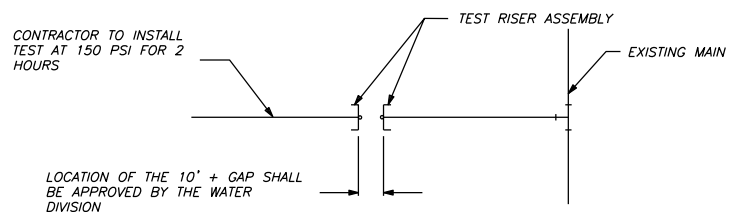


NOTE:

MANIFOLDS LARGER THAN SIX CONNECTIONS WILL REQUIRE APPROVAL FROM THE CITY OF CORPUS CHRISTI WATER DEPARTMENT FOR ANOTHER WATER TAP AND SERVICE.

THREE TO SIX WATER CONNECTIONS

NOT TO SCALE



LOCATION OF THE 10' + GAP SHALL BE APPROVED BY THE WATER DIVISION

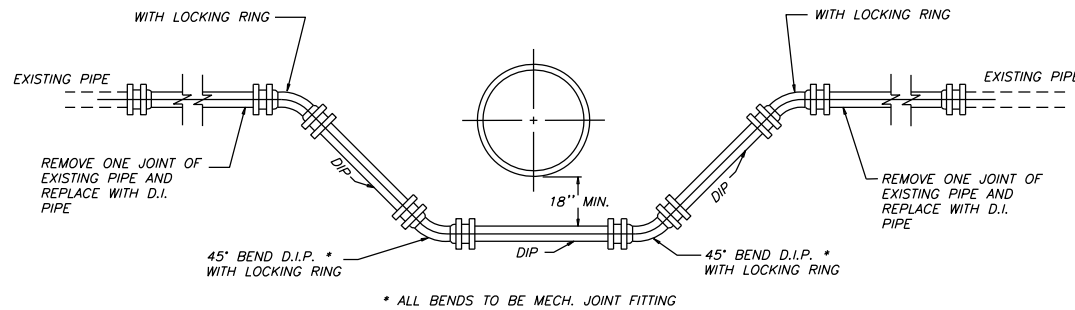
1. HYDROSTATIC TEST: WATER FOR FILLING THE NEW WATER LINE AND PERFORMING TESTS WILL BE FURNISHED TO THE CONTRACTOR BY THE CITY OF CORPUS CHRISTI THROUGH A STANDARD WATER CONSTRUCTION METER CONNECTION. STANDARD WATER CONSTRUCTION METER AND GAUGE WILL BE SUPPLIED BY THE CITY AFTER THE CONTRACTOR HAS PAID ALL APPLICABLE FEES FOR THE WATER CONSTRUCTION METER. THE TEST PUMP WITH APPROPRIATE CONNECTION POINTS AS APPROVED BY THE WATER SUPERINTENDENT FOR THE INSTALLATION OF METER AND GAUGE SHALL BE FURNISHED BY THE CONTRACTOR. THE METER SHALL BE DIRECTLY CONNECTED TO THE MAIN OR PIPE BEING TESTED BY THE USE OF COPPER TUBING OR AN APPROVED REINFORCED HOSE. THE METER SHALL BE PROTECTED AGAINST EXTREME PRESSURES BY THE USE OF A ONE (1") INCH SAFETY RELIEF VALVE SET AT THE TEST PRESSURE PLUS TEN POUNDS PER SQUARE INCH AND FURNISHED BY THE CITY (48 HOURS NOTIFICATION).
2. BACTERIOLOGICAL TEST: CONTRACTOR SHALL FURNISH AND INSTALL TEST RISER ASSEMBLY. AFTER BACTERIOLOGICAL SAMPLE PASSES TEST, CONTRACTOR SHALL REMOVE TEST RISER ASSEMBLIES AND TIE NEW SYSTEM TO EXISTING UNDER THE SUPERVISION OF THE WATER DIVISION INSPECTOR. CONTRACTOR SHALL FURNISH ALL MATERIALS, LABOR AND EQUIPMENT THAT IS REQUIRED TO MAKE THE / CONNECTION. CONTRACTOR WILL SCHEDULE & COORDINATE WITH WATER DIVISION INSPECTOR ON DATE & TIME OF TIE-IN. (24 HOURS NOTIFICATION)
3. CONTRACTOR SHALL FURNISH AND INSTALL TAPPING SLEEVE OR SADDLE AND TAPPING GATE VALVE AND VALVE BOX COMPLETE. CITY TO MAKE TAP (72 HOURS NOTIFICATION)

DETAIL "A" TEST RISER ASSEMBLY CONNECTION

NOT TO SCALE

CASING SPACERS

- ALL CARRIER PIPE IN CASING INSTALLED BY JACKING OR BORING SHALL BE SUPPORTED BY BOLT-ON STYLE CASING SPACERS, AS MANUFACTURED BY ADVANCE PRODUCTS INC. OR ENGINEER APPROVED EQUAL.
- CASING SPACERS FOR PIPE INSTALLED IN CASING SHALL HAVE A FUSION BONDED EPOXY CARBON STEEL BODY, NEOPRENE OR PVC LINER, STEEL SUPPORTS AND U.H.M.W. POLYETHYLENE RUNNERS.
- CASING SPACERS SHALL BE SIZED TO SECURELY FASTEN ON TO THE CARRIER PIPE BARRIER O.D. AND SHALL BE FURNISHED WITH A MINIMUM RUNNER HEIGHT TO PREVENT THE PIPE FROM RESTING OR SLIDING ON ITS JOINTS DURING THE INSTALLATION.
 1. POSITIONING OF SPACERS SHOULD ENSURE THAT THE CARRIER PIPE IS ADEQUATELY SUPPORTED THROUGHOUT ITS LENGTH.
 2. SPACERS AT EACH END SHALL NOT BE FURTHER THAN 6" FROM THE END OF CASING REGARDLESS OF SIZE OF CASING AND CARRIER PIPE OR TYPE OF SPACER USED.
- FOR PIPE WITH MECHANICAL JOINTS, FLANGES OR BELL AND SPIGOT JOINTS, CASING SPACERS SHALL BE INSTALLED WITHIN ONE FOOT ON EACH SIDE OF THE BELL OR FLANGE AND ONE IN THE CENTER OF THE JOINT WHEN 18 TO 20 FOOT LONG JOINTS ARE USED. MAXIMUM SPACING FOR SPACERS IS 12 FEET.

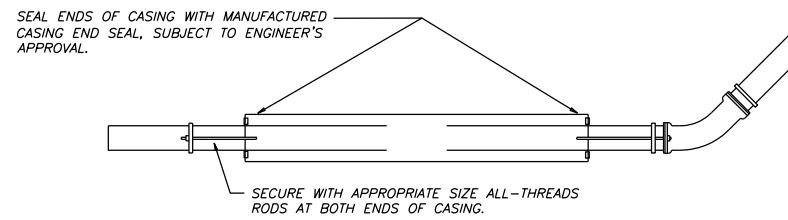


WATERLINE ADJUSTMENT DETAIL

NOT TO SCALE

* ALL FITTINGS SHALL BE RESTRAINED BY MECHANICAL JOINT RESTRAINT DEVICE "MEGALUG" AS INDICATED BY PLANS AND SPECS., OR ENGINEER APPROVED EQUAL, AND CONCRETE THRUST BLOCK, AS DESIGNATED BY WATER DIVISION INSPECTOR

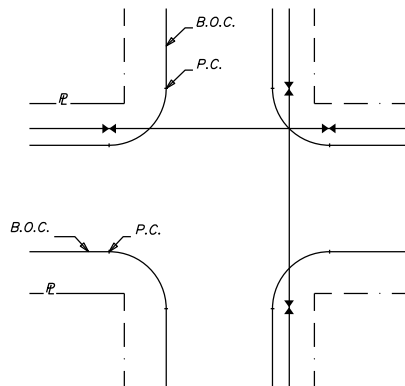
NOTE:
SEE #18 UNDER GENERAL NOTES



TYPICAL CASING DETAIL

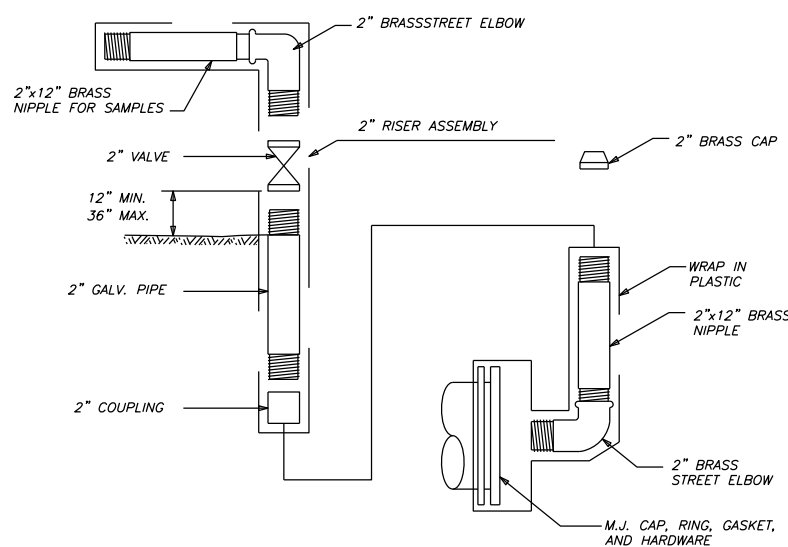
NOT TO SCALE

NOTE:
CASING SHALL BE STEEL.



TYPICAL VALVE INSTALLATION AT INTERSECTIONS

NOT TO SCALE



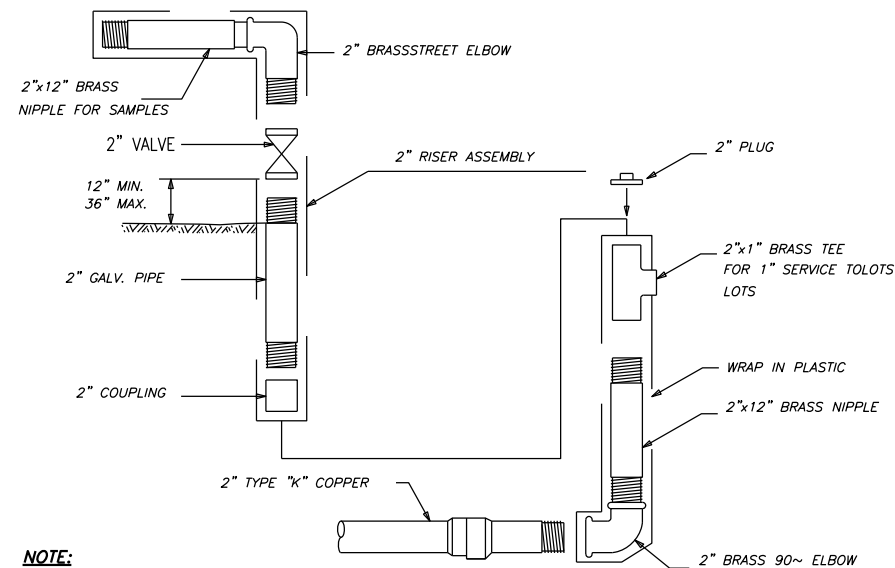
NOTE:

AFTER BACTERIOLOGICAL SAMPLE PASSES TEST, CONTRACTOR WILL REMOVE RISER ASSEMBLY AND INSTALL 2" BRASS CAP

DETAIL "B" TEST RISER ASSEMBLY

NOT TO SCALE

FURNISHED AND INSTALLED BY CONTRACTOR



NOTE:

CONTRACTOR WILL REMOVE RISER ASSEMBLY AND INSTALL 2" BRASS PLUG ON 2"x1" BRASS TEE AFTER SAMPLE PASSES

DETAIL "C" TEST RISER ASSEMBLY

NOT TO SCALE

FURNISHED AND INSTALLED BY CONTRACTOR

DESCRIPTION

BY

DATE

REVISION NO.

DESCRIPTION

BY

DATE

REVISION NO.

DESCRIPTION

BY

DATE

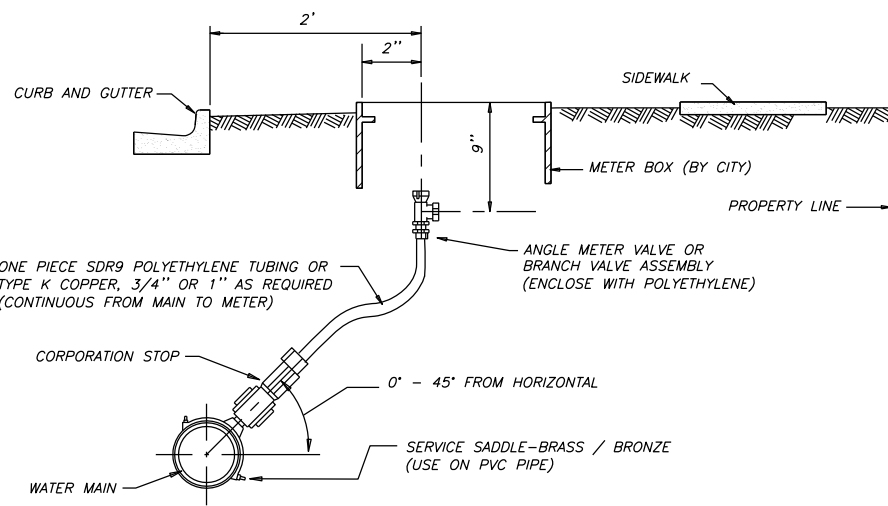
REVISION NO.

DESCRIPTION

CITY OF CORPUS CHRISTI
TEXAS
Department of Engineering Services

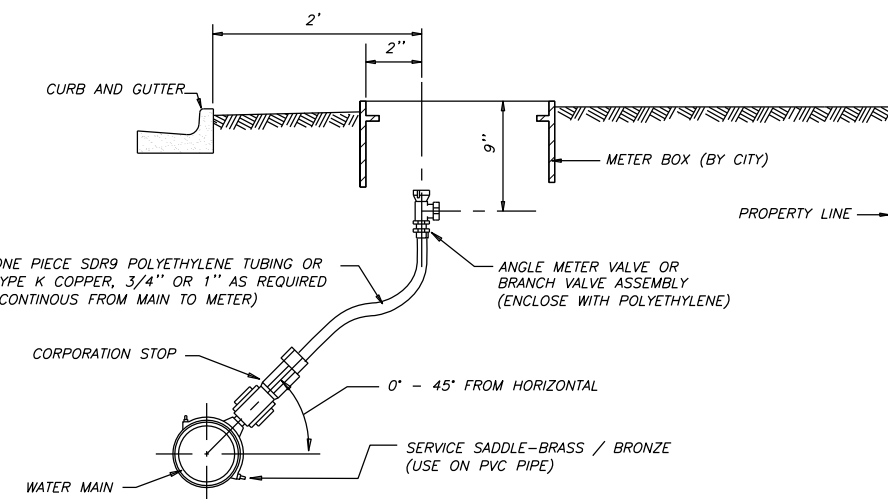
CITY OF CORPUS CHRISTI
WATER STANDARD DETAILS
ADJUSTMENTS, CASING DETAILS, RISER DETAILS
& TYP. VALVE LAYOUT

SHEET ____ of ____
RECORD DRAWING NO.
CITY PROJECT #



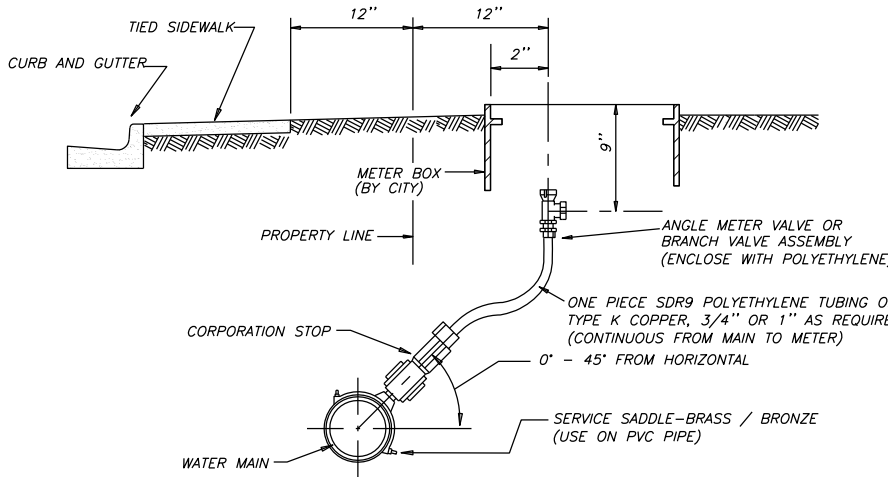
SERVICE WITH SIDEWALK

NOT TO SCALE



SERVICE WITHOUT SIDEWALK

NOT TO SCALE

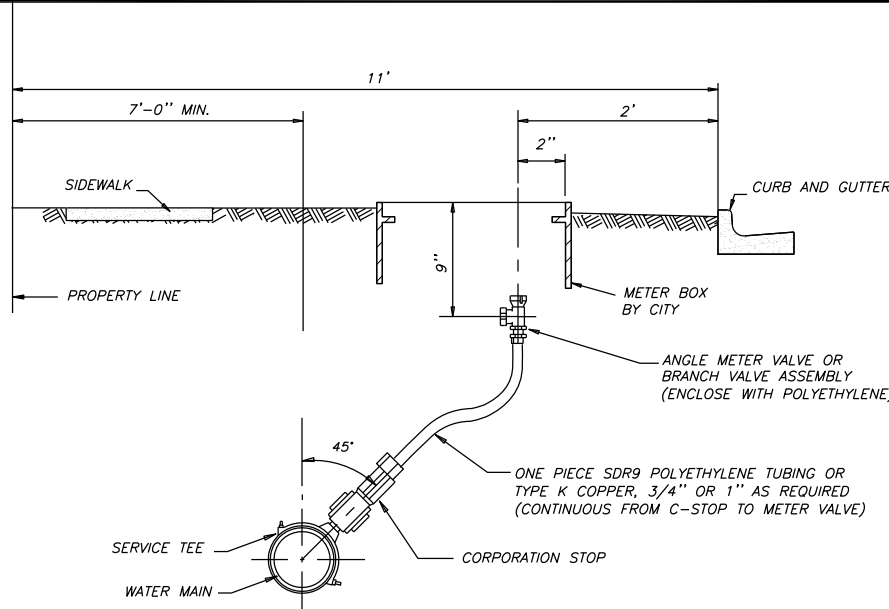


SERVICE WITH SIDEWALK TIED TO CURB

NOT TO SCALE

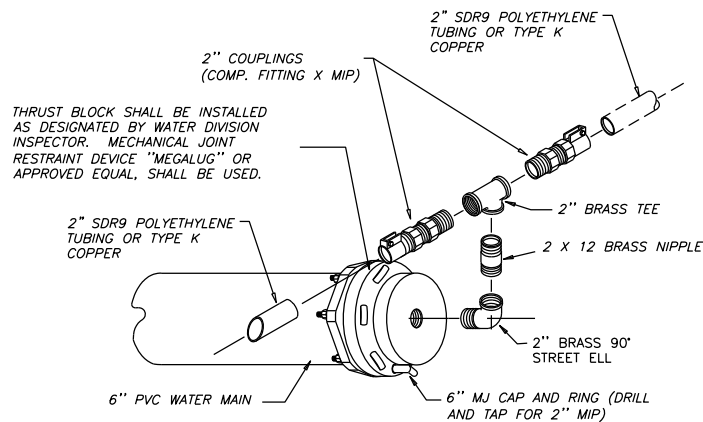
NOTES:

- IF THERE IS LESS THAN 2' FROM BACK OF SIDEWALK TO PROPERTY LINE, THE METER BOX SHALL BE PLACED 1' BEHIND PROPERTY LINE AND UTILITY EASEMENT WILL BE REQUIRED.
- IF THERE IS MORE THAN 2' FROM BACK OF SIDEWALK TO PROPERTY LINE, THE METER BOX SHALL BE PLACED BEHIND SIDEWALK.
- THE WATER DIVISION WILL APPROVE ANY PLACEMENT OF A SERVICE LINE IN A TIEDSIDEWALK SITUATION.



TYPICAL CUL-DE-SAC SERVICE

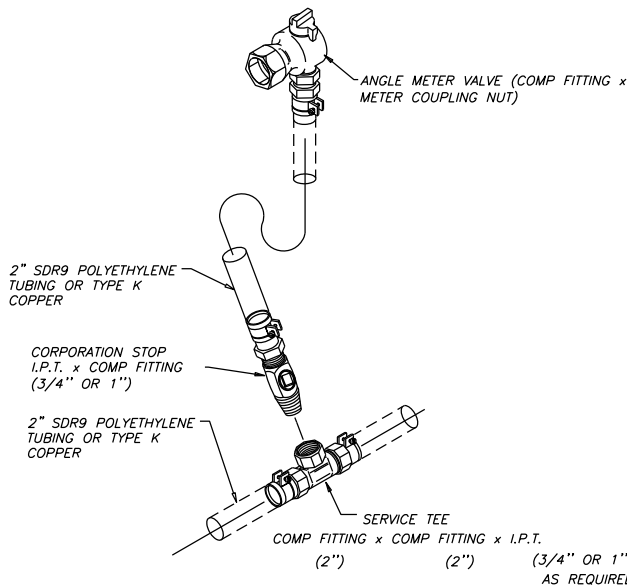
NOT TO SCALE



NOTE:
NO MORE THAN 3 LOTS SHALL BE SERVED PER LEG.

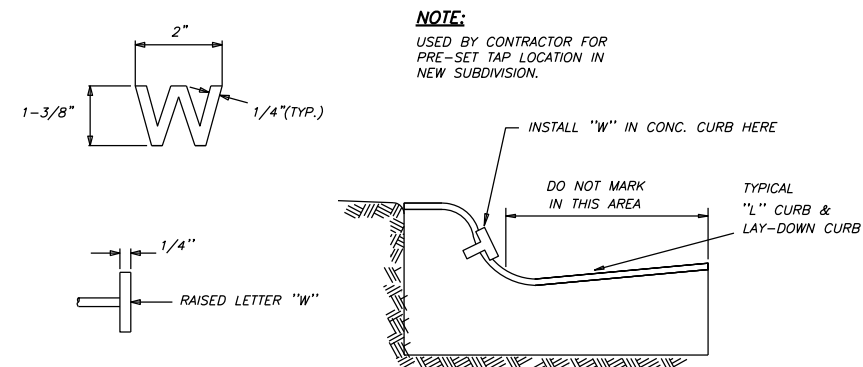
TYPICAL CONNECTION DETAIL

NOT TO SCALE



TYPICAL CONNECTION DETAIL

NOT TO SCALE



BRASS "W" DETAIL

MARKER LOCATION

PRE-SET SERVICE LINE MARKER DETAILS

NOT TO SCALE

SERVICE LINE MATERIALS

SERVICE CLAMPS

FOR 3/4", 1", 1 1/2" I.P. THREAD TAPS FOR 6" MAINS; 2" I.P. THREAD CLAMP TAP CONNECTION ALLOWED FOR 8" AND LARGER MAINS.

CORPORATION STOPS

3/4", 1", 1 1/2", AND 2" REQUIRED WITH I.P. THREAD INLET BY COPPER COMPRESSION OUTLET WITH CLAMP - CORPORATION STOP REQUIRED AT ALL SERVICE TAPS.

ONE PIECE SDR9 POLYETHYLENE TUBING OR TYPE K COPPER

REQUIRED FOR ALL SERVICE LINES BETWEEN MAIN TO METER - SIZES REQUIRED 3/4", 1", 1 1/2", AND 2" (NO SPLICES ALLOWED)

ANGLE METER STOP

REQUIRED AT ALL METERS - SIZES 3/4" & 1" - INSTALL 3/4" UNLESS DIRECTED OTHERWISE - COPPER COMPRESSION W/ CLAMP INLET BY METER COUPLING NUT OUTLET.

METER (BY OTHERS)

METER ADAPTER AND CHECK VALVE (BY OTHERS)

REQUIRED AT ALL METERS - SIZES 3/4" & 1" - INSTALL 3/4" UNLESS DIRECTED OTHERWISE - METER NUT INLET BY 3/4" MALE I.P. OUTLET.

ADAPTER COUPLING (BY OTHERS)

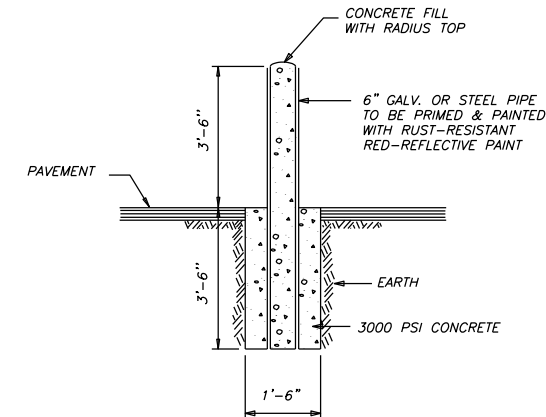
REQUIRED AT ALL METERS - 3/4" & 1" - FEMALE I.P. BY PVC COMPRESSION.

METER BOX

CAST IRON W/ HOT TAR DIP SHALL BE PROVIDED BY THE CONTRACTOR FOR 3/4" METER SETTINGS, IF EXISTING STRUCTURE DOES NOT HAVE ONE. BOXES FOR LARGER (1" & UP) METER SETTINGS SHALL BE FURNISHED BY THE CITY.

BRASS FITTINGS

BRASS FITTINGS SHALL COMPLY WITH A.W.W.A. C800-66 AND BE WRAPPED IN POLYETHYLENE.



NOTE:

DO NOT PLACE BOLLARD IN FRONT OF HOSE OUTLETS

BOLLARD DETAIL

NOT TO SCALE

DESCRIPTION

BY

DATE

REVISION NO.

DESCRIPTION

BY

DATE

REVISION NO.

CITY OF CORPUS CHRISTI
TEXAS
Department of Engineering Services

CITY OF CORPUS CHRISTI
WATER STANDARD DETAILS
MAIN TO SERVICE DETAILS AND OTHERS

SHEET ____ of ____
RECORD DRAWING NO.

CITY PROJECT #