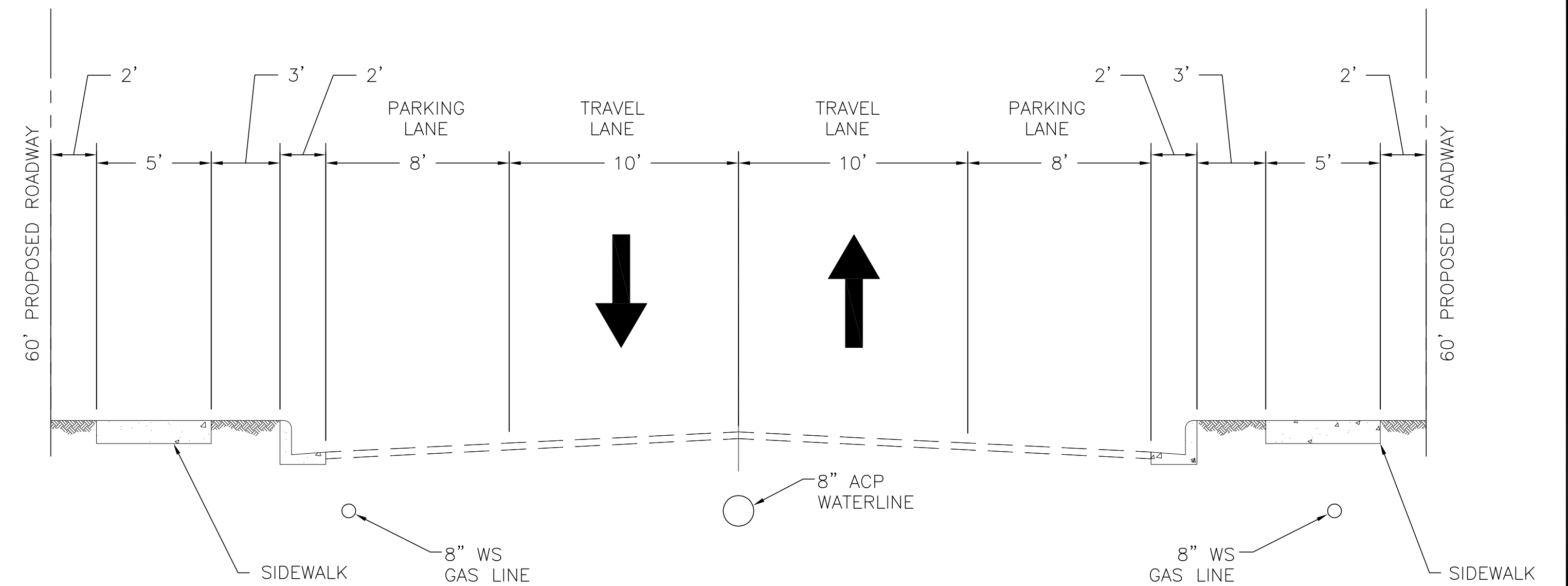
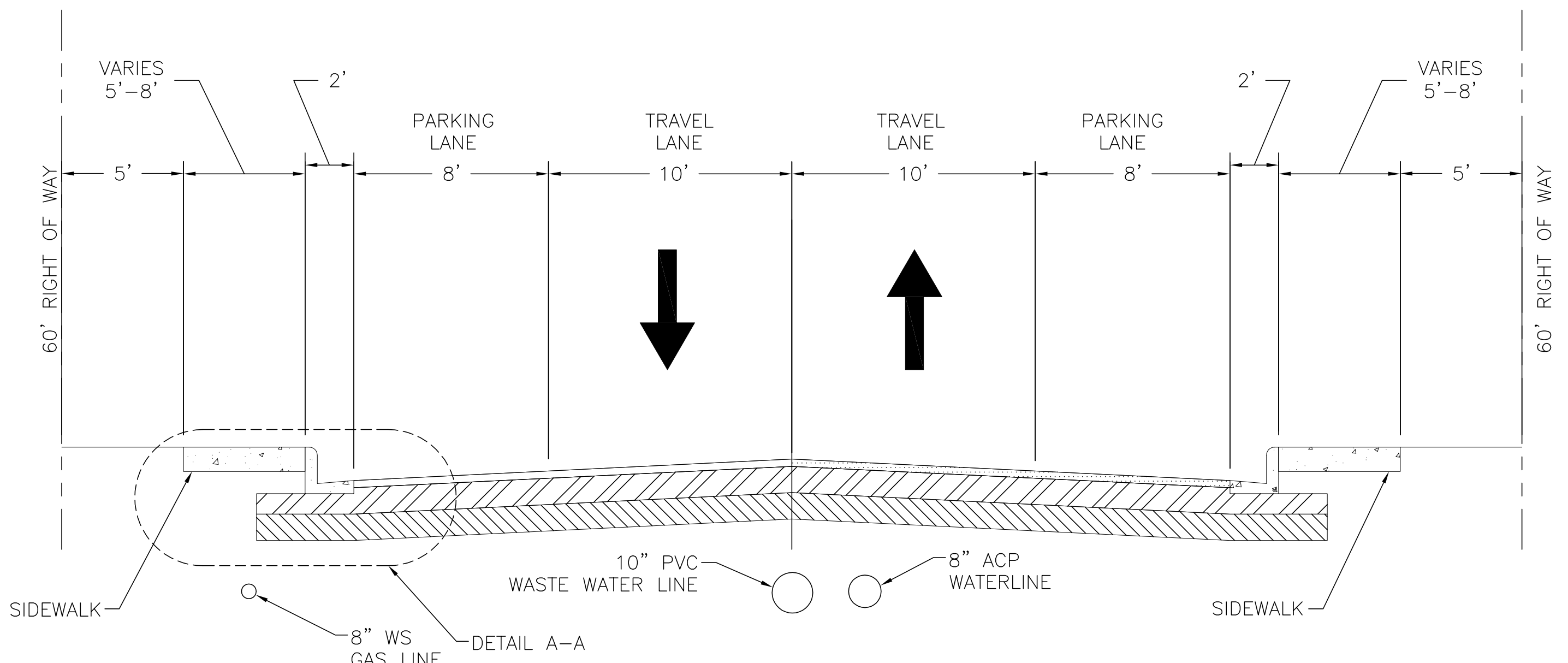


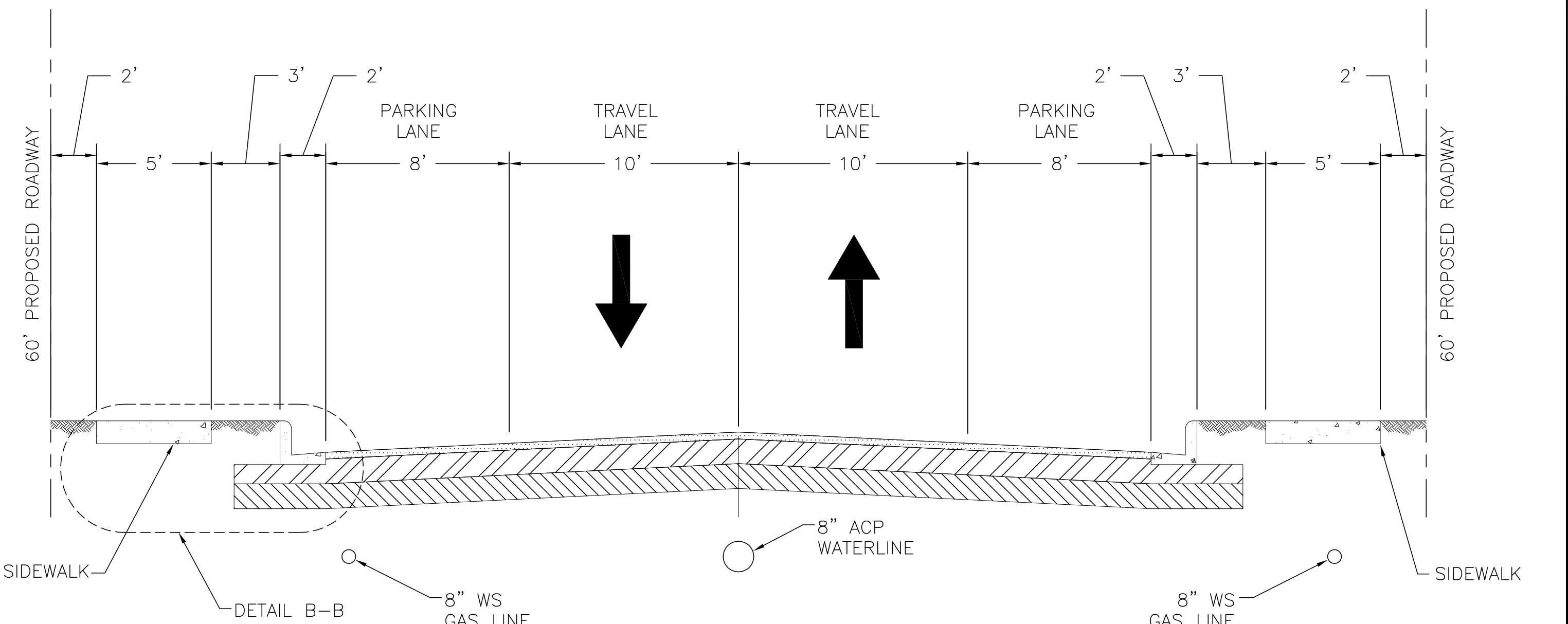
EXISTING TYPICAL SECTION



EXISTING TYPICAL SECTION



PROPOSED TYPICAL SECTION
(TIED SIDEWALK)

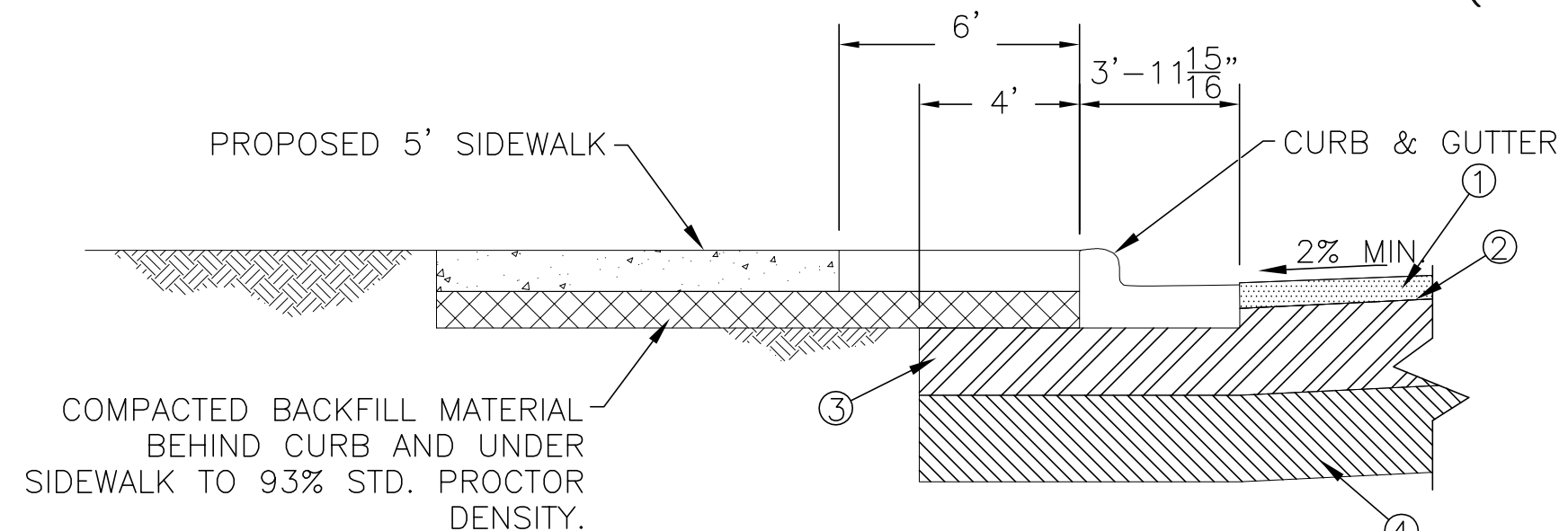


PROPOSED TYPICAL SECTION
(UNTIED SIDEWALK)

PROPOSED 5' SIDEWALK (8' TIED SIDEWALK FROM INTERSECTION OF LIPAN ST. & ALAMEDA ST. CONTINUING TO INTERSECTION OF ALAMEDA ST. & CALDWELL ST.)

COMPACTED BACKFILL MATERIAL BEHIND CURB AND UNDER SIDEWALK TO 93% STD. PROCTOR DENSITY.

DETAIL A-A



DETAIL B-B

LEGEND

1. 2" HMAC (TYPE D)
2. PRIME COAT
3. 10" CRUSHED LIMESTONE BASE (TYPE A. GRADE 1) COMPACTED TO 98% MODIFIED PROCTOR DENSITY (ASTM D1557)
4. 12" LIME STABILIZED COMPACTED SUBGRADE COMPACTED 98% STANDARD PROCTOR DENSITY (ASTM D698) AT OR SLIGHTLY ABOVE OPTIMUM MOISTURE CONTENT