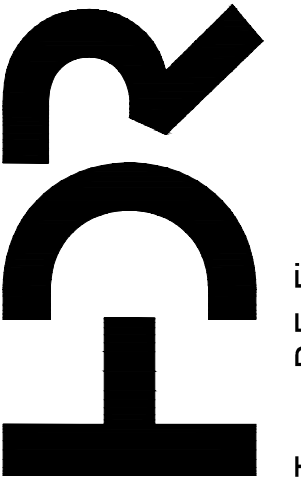
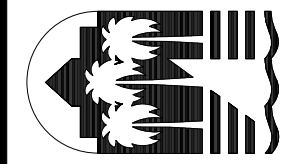


THIS DOCUMENT IS RELEASED FOR
THE PURPOSE OF INTERIM REVIEW
AND IS NOT INTENDED TO BE USED
FOR CONSTRUCTION, BIDDING OR
PERMIT PURPOSES.

ENGINEER: ANTHONY B. GAVLIK
LICENSE NO.: 109896
DATE: 04-2014



Texas P.E. Firm
Registration No. F-754

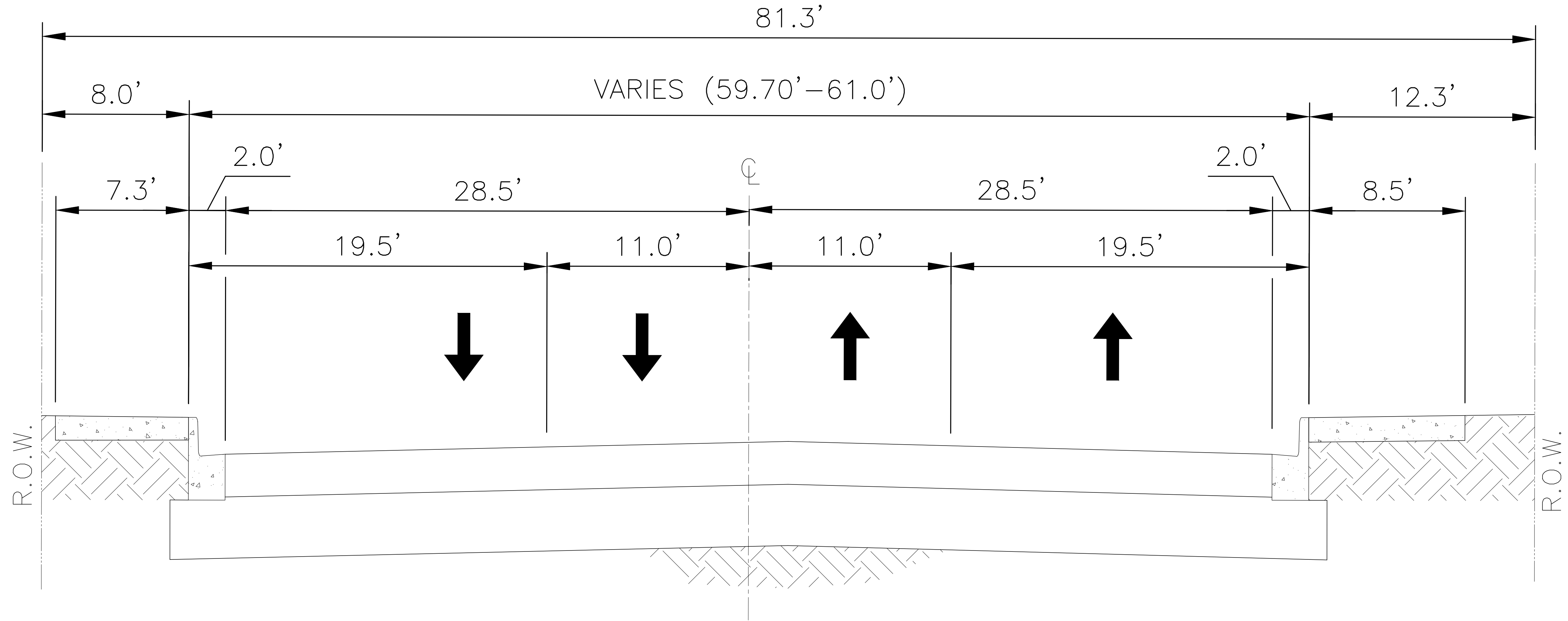


CITY of CORPUS CHRISTI
TEXAS
Department of Engineering Services

STAPLES STREET FROM
ALAMEDA STREET TO MORGAN AVENUE

EXISTING SECTION

EXHIBIT
03



EXISTING TYPICAL SECTION